

CIVA

FAI

AEROBATICS
COMMISSION

EDSA 2018

Form A

Pilot ID

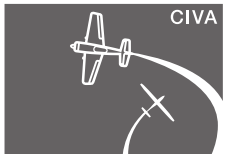
Flight #

CIVA Glider Advanced Unknown3

No	Symbol	Cat. No.	K	Total K	Marks	Remarks	Pos	Item	K	Grade
1		1.1.6.3	10	10				Pos.	15	
								Harm.	0	
2		1.2.8.1 9.1.4.2	16 6	22				Fig K	143	Total K
								158		
3		1.1.1.4 9.8.3.2	2 11	13				Penalties		
								Too Low		
								Too High		
								Interruptions		
								Insertions		
								Trg Violation		
								Wing Rocks		
								Disqual Fig		
								Other(note...)		
								Final Freestyle		
Duration		Min	Sec							
5		5.2.1.1 9.1.5.1	17 3	20				Judges Details		
								Signature		
								Name		
6		7.8.4.1 9.1.4.2 9.1.4.2	19 6 6	31				Number		
7		1.2.3.1 9.1.2.2	12 9	21						
8		1.1.6.1	10	10						

Pilot

A/C



FAI

AEROBATICS COMMISSION

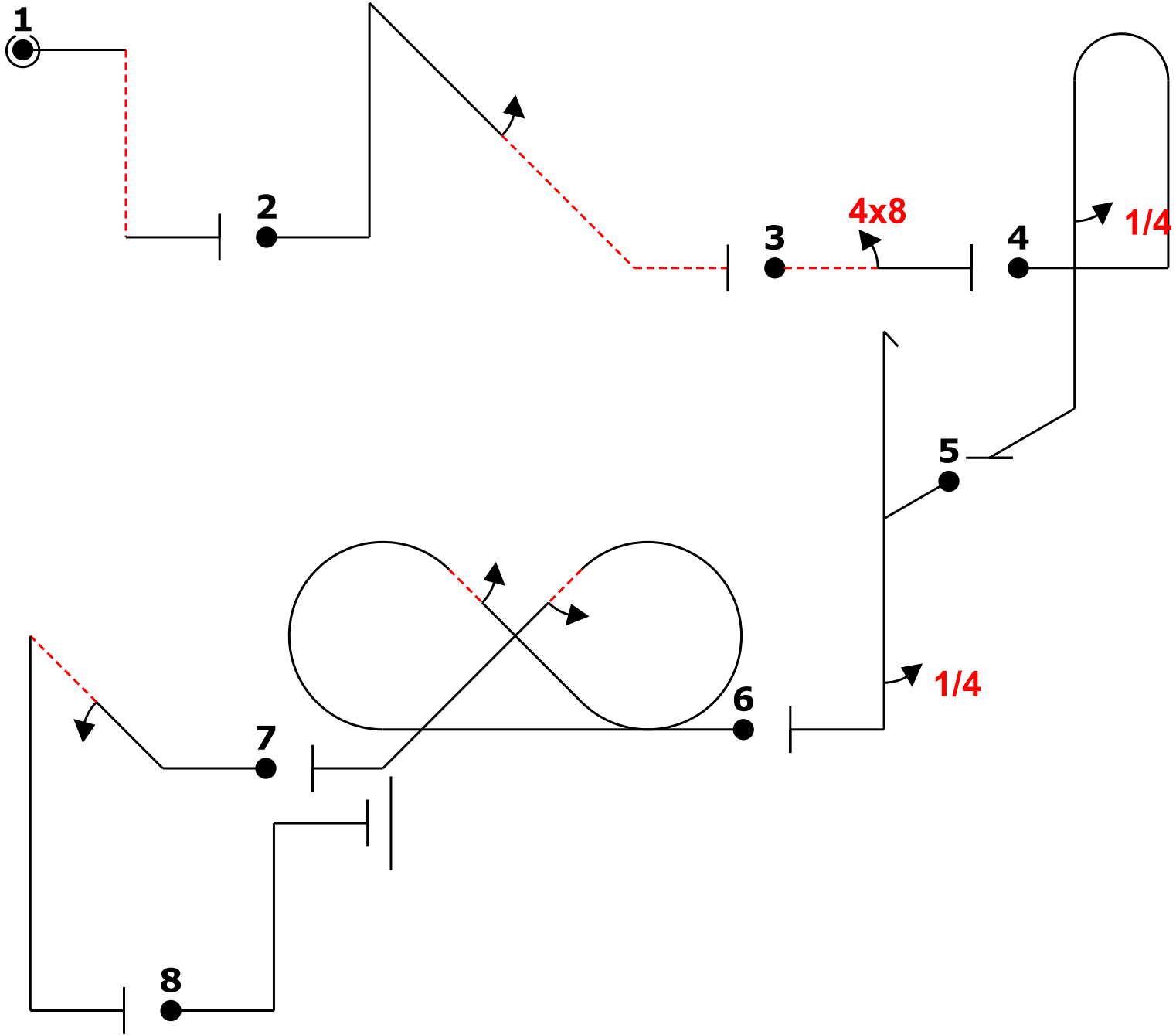
EDSA 2018

Form B

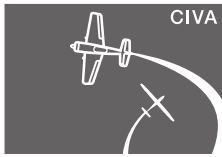
Pilot ID

Flight #

CIVA Glider Advanced Unknown3



 Pilot
 A/C



FAI

AEROBATICS COMMISSION

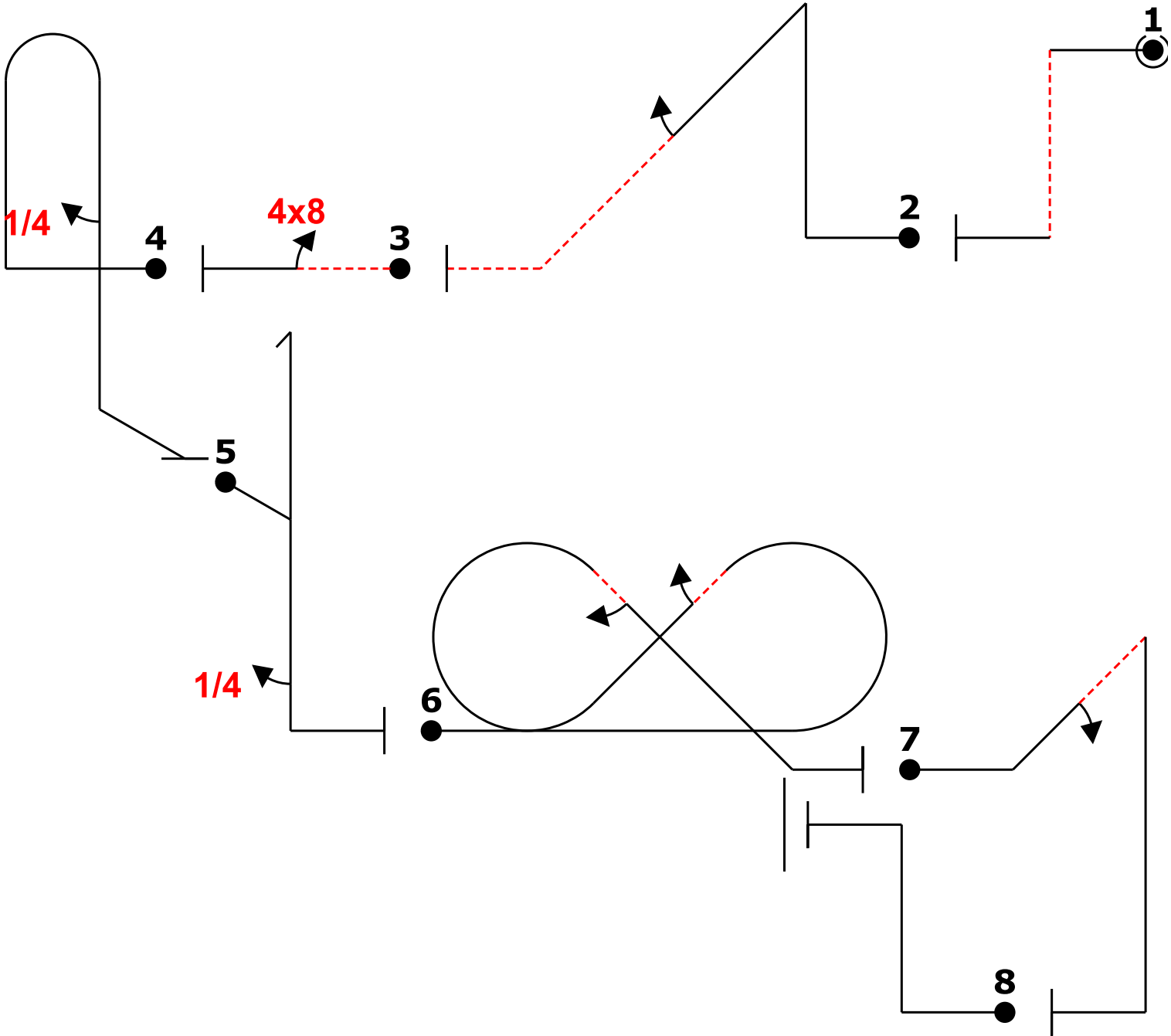
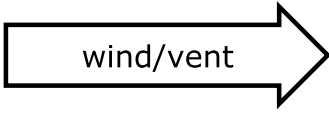
EDSA 2018

Form C

Pilot ID

CIVA Glider Advanced Unknown3

Flight #



 Pilot
 A/C